

LASER RADIATION – DO NOT STARE INTO BEAM
 620-690nm/0.95mW max.
 CLASS II LASER PRODUCT



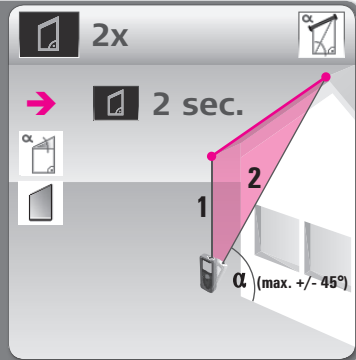
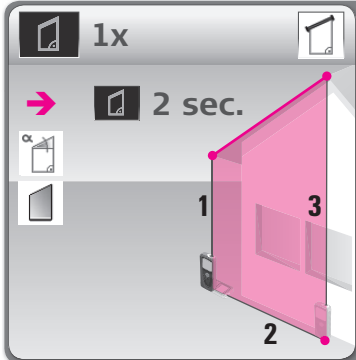
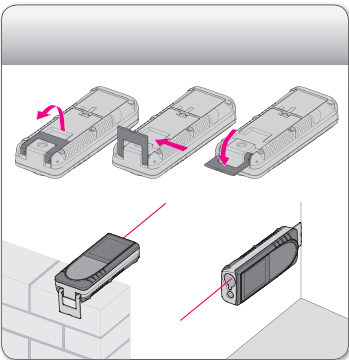
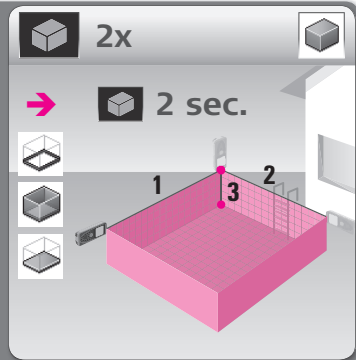
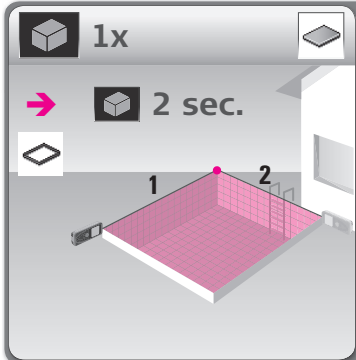
Laser class II
 in accordance with
 FDA 21CFR Ch.1 § 1040

Laser class 2
 in accordance with
 IEC 60825-1 and EN 60825-1

www.disto.com

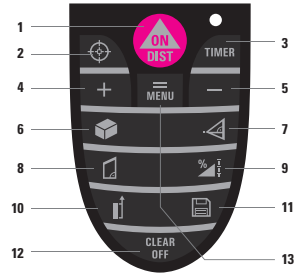


SAP. No. 766552



QUICKSTART

Leica DISTO™ D5



- Buttons**
- 1 ON / DIST (On/measuring)
 - 2 Digital Pointfinder
 - 3 Timer
 - 4 Plus (+)
 - 5 Minus (-)
 - 6 Area/volume
 - 7 Indirect measurement (Pythagoras)
 - 8 Trapezoid
 - 9 Functions
 - 10 Reference
 - 11 Storage/Memory
 - 12 Clear/Off
 - 13 Menu/Equal

- when it has to be **right**



1x

2 sec.

1
2

2x

2 sec.

1
2
3

3x

2 sec.

1
2
3

2 sec. **C**
save constant

1x **C**
recall constant

2x **1** ... **20**
history (1-20)

CLEAR OFF + **2 sec.**
delete history

1x

max. +45°
max. -45°

2x

2 sec.

1
3
2

3x

2 sec.

1
2
3

A1
A2
A3

A=A1+A2+A3

4x

1
2
3

a=1,00m
b=0,75m
a≠b

a=1,00m
b=1,00m
a=b